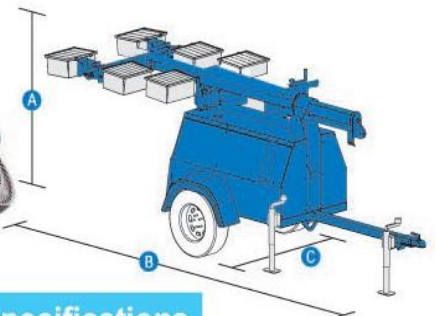
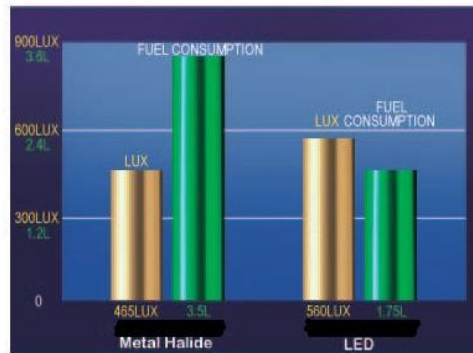


LITEMAN

Super LED

Features and benefits:

- LED lights can save 50% fuel than traditional metal halide light. Dual fuel tank configuration can be continuously running 16 days
- LED lights have long life, five year warranty and at least 50,000 hours of light without replacing a lamp.
- High luminance each individual 400W LED lights is equal to traditional 1000W LUX metal halide light.
- Instantaneous light with no warm up or standby time required.
- The reliable and convenient hydraulic operating system.



Specifications

MEASUREMENTS	
Tower height	9.4m
A Height	1.5m
B Length	4.57m
C Width	1.55m
Weight	950kg

TRAILER	
Number of Light	6 x 400wLED
Light output	660,000 Lumens
Light bar rotation	120° Electrical waving
Mast operation	3 Stages, Hydraulic
Standard tow hitch	Yes
Stabiliser supports	5 x Manual
Tire Size	205

POWER	
Model	STAMFORD PI044D
Rated frequency	50Hz
Rated voltage	220V
Rated power	4.0KVA
Rated speed	1,500RPM
Engine Model	KUBOTA D905
Number of Cylinder	3
Cooling	Water cooled
Fuel	Diesel

